



HCD 30ii

MANUAL

• GB •

IMPORTANT SAFETY INSTRUCTIONS

When used in the directed manner, this unit has been designed and manufactured to ensure your personal safety.

However, improper uses can result in potential electrical shock or fire hazards. Please read all safety and operating instructions carefully before installation and use, and keep these instructions handy for future reference. Take special note of all warnings listed in these instructions and on the unit.

Water and Moisture

The unit should not be used near water. For example: near a bathtub, washbowl, kitchen sink, laundry tub, swimming pool or in a set basement.

Ventilation

The unit should be situated so that its location or position does not interfere with its proper ventilation. For example, it should not be situated on a bed, sofa, rug or similar surface that may block the ventilation openings. Also, it should not be placed in a built-in installation, such as a bookcase or cabinet, which may impede the flow of air through the ventilation openings.

Heat

The unit should be situated away from heat sources such as radiators, heat registers, stoves or other appliances (including amplifiers) that produce heat.

Power Source

The unit should be connected to a power supply only of the type described in the operating instructions or as marked on the appliance.

Power Cord Protection

Power supply cords should be routed so that they are not likely to be walked on or pinched by items placed upon or against them. It is always best to have a clear area from where the cord exits the unit to where it is plugged into an AC outlet.

Cleaning

The unit should be cleaned only as recommended. See the section "Care and Maintenance" of this manual for cleaning instructions.

Object and Liquid Entry Care should be taken so that objects do not fall and liquids are not spilled into any openings or vents located on the product.

Attachments

Do not use attachments not recommended by the product manufacturer.

Lightning and Power Surge Protection

Unplug the unit from the wall outlet. This will prevent damage to the product due to lightning and power-line surges.

Overloading

Do not overload wall outlets, extension cords, or integral convenience receptacles as this can result in a risk of fire or electric shock.

Damage Requiring Service

This unit should be serviced by qualified service personnel when:

The power supply cord or plug has been damaged.

Objects have fallen into or liquid has been spilled into the enclosure.

The unit has been exposed to rain.

The unit has been dropped or the enclosure damaged.

The unit exhibits a marked change in performance or does not operate normally.

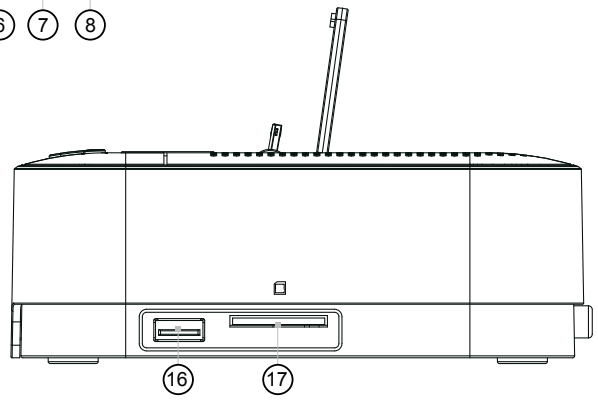
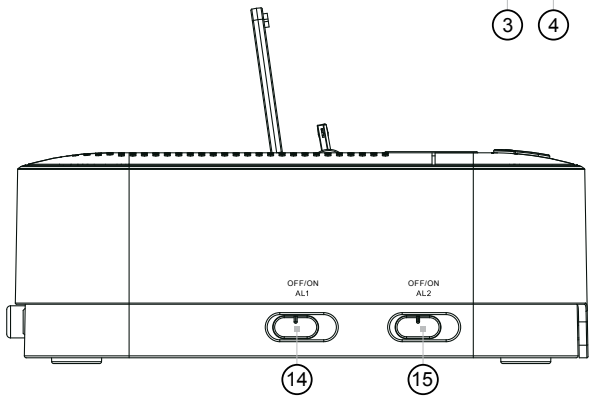
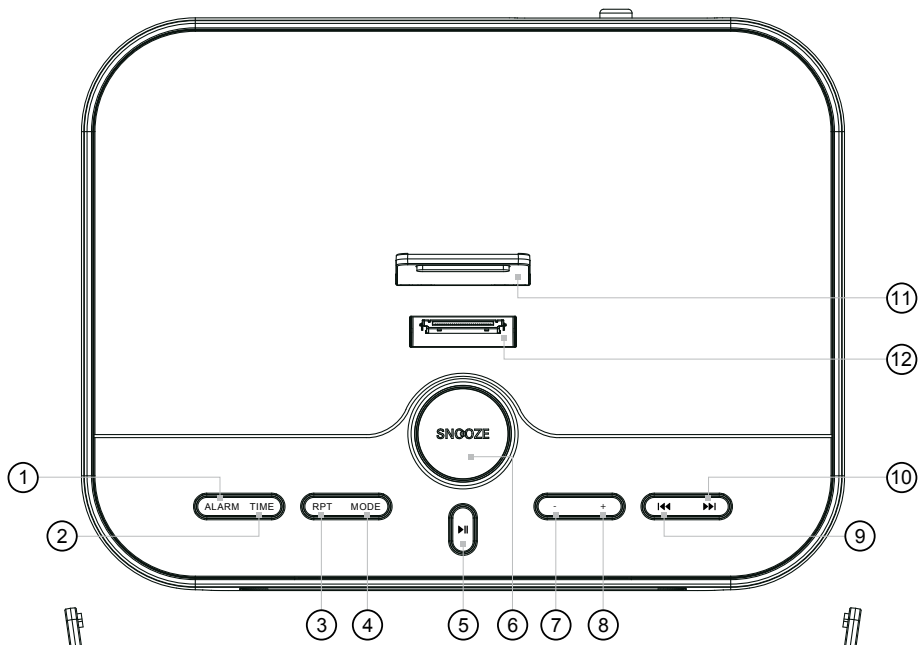
Periods of Nonuse

If the unit is to be left unused for an intended period of time, such as a month or longer, the power cord should be unplugged from the unit to prevent damage or corrosion.

Servicing

The user should not attempt to service the unit beyond those methods described in the user's operating instructions.

Service methods not covered in the operating instructions should be referred to qualified service personnel.



1. ALARM Button

.In off mode: press ALARM to set the alarm.

2. TIME Button

.In off mode: press TIME to set the clock time

3. RPT/SLEEP Button

. In USB/SD mode, press RPT button to select REPEAT ALL or REPEAT single track. It is defaulted at REPEAT ALL.

. In on mode: to select the time duration of the sleep timer from “90/80/70/60/50/40/30/20/10/00”minutes

4. MODE Button

.In on mode: press MODE to select different play modes:
RADIO/IPOD/USB/SD/AUX

5. Button

.In off mode: press to turn this unit on

.In Radio mode: to enter the radio memory selecting mode

.In iPod/USB/SD modes: to play/ pause current playback

.Press and hold to turn this unit off

6. SNOOZE Button

. To activate the snooze function when the alarm is activated

. To select LCD backlight Bright/DIM Level 1/DIM Level 2/OFF.

7. - Button

. To adjust volume level down

8. + Button

. To adjust volume level up

9. Button

.In iPod(iPhone) mode: to return to the beginning of current track or previous track

.In USB/SD mode: to return to the previous track

In radio mode: press it to searching backward radio station and stop automatically

Press and hold it to searching back station and save it automatically.

10. Button.

.In iPod(iPhone) mode: to advance to the end of current track or next track

.In USB/SD mode: to return to the next track

.In radio mode: press it to searching forward radio station and stop automatically

Press and hold it to searching forward station and save it automatically.

11.iPod/iPone bracket

12. iPod/iPhone dock

13. LCD Display

14. ALARM 1 OFF/ON button

15. ALARM 2 OFF/ON button

16.USB card slot

17.SD/MMC card slot

INSTALLATION

BATTERY BACK UP SYSTEM

This unit uses 2pcs UM-4 'AAA' batteries (not included) to maintain the time and alarm settings in the event that it is accidentally unplugged, or you experience a temporary power failure. We recommend that you install a well-known brand of Alkaline battery for longest life and best performance. To keep the battery back up system operational you should install a pair of new batteries every 6 to 9 months.

The battery back-up compartment is located at bottom of the unit.

To install the back up batteries:

- 1.) Remove the battery compartment door.
- 2.) Follow the polarity diagram shown inside the compartment and install 2 x AAA batteries (not included).
- 3.) Replace the battery compartment door.

WARNING:

- Be sure that the batteries are installed correctly. Wrong polarity may damage the unit.
- Do not mix old and new batteries.
- Do not mix alkaline, standard (carbon-zinc) or rechargeable (nickel-cadmium) batteries.
- Only batteries of the same or equivalent type as recommend are to be used.
- If the unit is not to be used for an extended period of time, remove the batteries to prevent damage or injury from possible battery leakage.
- Do not dispose of batteries in fire, batteries may explode or leak.

Power of Main unit Connection

The unit is designed by an internal AC power. Insert the AC cord into a convenient AC wall outlet.

NOTE: This unit is not magnetically shielded and may cause color distortion on the screen of some TVs or video monitors. To avoid this, you may need to move the unit further away from the TV or monitor if unnatural color shifts or image distortion occurs.

PROTECT YOUR FURNITURE!!

This system is equipped with non-skid rubber 'feet' to prevent the product from moving when you operate the controls. These 'feet' are made from non-migrating rubber material specially formulated to avoid leaving any marks or stains on your furniture. However certain types of oil based furniture polishes, wood preservatives, or cleaning sprays may cause the rubber 'feet' to soften, and leave marks or a rubber residue on the furniture.

To prevent any damage to your furniture we strongly recommend that you purchase small self-adhesive felt pads, available at hardware stores and home improvement centers everywhere, and apply these pads to the bottom of the rubber 'feet' before you place the product on fine wooden furniture.

GETTING STARTED

WARNING: Do not apply power to the unit until all of your connections are made. Please turn off your iPod/iPhone before docking. Check your iPod/iPhone manual for the proper procedure to turn your model off.

1. Insert the AC cord into AC wall outlet.
2. The display is ON and showing the time.
4. Press the Play button to turn on the unit.
5. Remove the AC cord out of the wall outlet if you want to switch off the main voltage completely.

BASIC OPERATION

1. Turn on the unit by pressing the Play/Pause button on the unit. Press and hold this button to turn the unit off.
2. Press the MODE button on the main unit to select different play modes: RADIO/IPOD/USB/SD/AUX-IN
3. The volume of the unit can be controlled by pressing the volume button on the main unit.
4. Press Snooze button on the main unit to adjust the lightness of LCD display by: Bright/DIM Level 1/DIM Level 2/OFF

SETUP AND OPERATIONS

Clock Setup

Setting the Time by using iPhone/iPod Time Sync

Time sync mode allows you to sync the docking station to the time from your iPhone or recent models of iPod like iPod Touch, iPod Nano and iPod Classic (older models such as iPod Mini do not support this feature).

1. Make sure your iPhone or iPod is properly docked. The sync function is in progress automatically.
2. After sync is complete, the display will show the current time on your iPhone/iPod clock.

NOTE: The iPhone is constantly updated to current time via cell phone towers. The time on your iPod is only accurate to the last time it was synced to a computer. It's possible to have up to 59 seconds difference between the docking station and synced iPhone/iPod.

Setting the Time Manually

1. Press the "TIME" button during power off mode to access time setup, the hour digit will flash.
2. Press ►► or ◀◀ button to adjust the hour, then press TIME button to confirm the hour. The hour digit will stop flashing and the minute digit will start to flash.
3. Press ►► or ◀◀ button again to adjust the minute, then press TIME button to confirm the minute. The minute digit will stop flashing and the week digit will start to flash.
4. Press ►► or ◀◀ button again to adjust the week, then press TIME button to confirm the week.

Alarm Setup

1. Press the "ALARM" button during power off mode to access time setup.
2. Press Alarm Button until "🔔" icon flash then press ▶▶ or ◀◀ button to select wake to sound source circularly (the Alarm1 and relevant alert icon: from radio, iPod, USB, Card to Buzzer with Alarm1 appeared).
3. Press the **Alarm Button** until alarm hour digit flashes on the display. Press ▶▶ or ◀◀ **Button** to adjust the hour, press ALARM to confirm the hour. The hour digit stop flashing and the minute digit start to flash.
4. Press ▶▶ or ◀◀ button again to adjust the minute, then press ALARM button to confirm the minute and the week words start to flash.
5. Press ▶▶ or ◀◀ button again to adjust the week, then press ALARM button to confirm the week. (There are three modes can be alarmed on the week:
 - 1) Sunday Monday Tuesday Wednesday Thursday Friday Saturday
 - 2) Sunday and Saturday
 - 3) Monday Tuesday Wednesday Thursday Friday.)After selected the alert mode, the alarm1 will be armed automatically, indicated by the alarm1 icon.
6. The setting of Alarm2 refers to above steps 1 ~ 5.

Nap Setup

1. During power off mode, press the "ALARM" button thrice until the display show flashing "NAP" to access NAP setup.
2. Press ▶▶ or ◀◀ button to select wake to sound source circularly (alert icon: from radio, iPod, USB, Card to Buzzer appeared).
3. Press the **Alarm Button** until alarm hour digit flashes on the display. Press ▶▶ or ◀◀ **Button** to adjust the hour, press ALARM to confirm the hour. The hour digit stop flashing and the minute digit start to flash.
4. Press ▶▶ or ◀◀ button again to adjust the minute, then press ALARM button to confirm the minute.

The Nap alarm set will be active only one day. In Nap Alarm mode, it can not select the week in Nap alarm.

Note:

- You cannot wake to aux audio device.
- If the radio alarm mode is selected, the alarm will turn on and broadcast the last channel before turning off the unit.
- If the iPod alarm mode is selected, the alarm will turn on and play the last track played previously.
- If the iPod alarm mode is selected but the iPod or iPhone is absent, it will switch to Buzzer alarm mode automatically. The Buzzer sound will be getting louder and louder gradually.
- If selected wake to iPod, your iPod/iPhone must be properly docked and off.
- If the USB or SD mode is selected but the USB or SD is absent, it will also switch to Buzzer alarm mode automatically. The Buzzer sound will be getting louder and louder gradually.
- If iPod/iPhone or USB/SD alarm sounds and the docking station or USB/SD detects no sound (or if no

iPod/iPhone/USB/SD is detected), the buzzer will sound instead.

-if the unit is power off, the alarm will sound in Buzzer mode.

-If the alarm sound in Buzzer, the sound will last 10 Minutes as Alarm. If the alarm sound in Radio/iPod/USB/SD, the sound will last 1 hours.

Arming and Disarming Alarm (Turn Alarm Function On and Off)

To arm the alarm or to disarm the alarm, just press OFF/ON AL1 or OFF/ON AL2 button as needed during power on and off mode.

If the alarm is armed, the alarm icon will flash on the display.

If the alarm is disarmed, the alarm icon will stop flashing.

Resetting the Alarm to Come on the Next Day

When the alarm is activated (waking you), Press the **OFF/ON AL1 or OFF/OB AL2 Button** to stop alarm and reset it to come on the following day at the same time.

Sleep Timer Setup

-While listening to Radio/iPod/USB/SD/AUX, press and hold **Sleep** button until "sleep" icon start to flash, press **Sleep** button to adjust the sleep timer from "90/80/70/60/50/40/30/20/10/00"minutes. After adjusted the sleep timer, just wait the "sleep" icon stop flash to confirm setting.

-when the sleep timer is active, press and hold sleep button to show the current sleep time, press again to adjust it again to modify the setting.

Note: Press the sleep button until "00" is flashing to cancel the sleep mode, the sleep icon "SLEEP" disappears simultaneously.

SNOOZE Operation

-Press to select LCD backlight Bright/DIM LEVEN1/DIM LEVEL2/ OFF

-When the alarm is activated (waking you), pressing the SNOOZE button will stop the alarm one time. The Alarm icon will flash simultaneously on the display and enter into Snooze status.The alarm will sound again after 9 minutes (default nap time)

Listening to FM Radio

Setting up the Antenna

Extend the wire antenna fully for best reception. Do not strip, alter or attach to other antennas.

Tuning and Playing the Radio

1. Press the **▶||** Button to turn on the unit.
2. Press MODE button on the main unit until RADIO icon appears on the display to enter Radio mode.
3. Press **▶▶|** / **|◀◀** button to search backward or forward radio station and stop automatically.
4. Press and hold **▶▶|** / **|◀◀** button for searching radio frequency backward or forward and store the station automatically.

Notes:

-The unit can store up 50 FM stations automatically for easy recall at any time.

Recalling Stored Preset Stations

-Press **▶||** button on the unit, the memory channel number "01" will flash, press again to select the channel number you desire station.

iPod/iPhone Docking

-Dock your iPad, iPhone or iPod through the iPod dock connector.

Note: - Please be careful when seating the iPad/iPhone/iPod into the docking to avoid damaging the 30-pin connector on the iPod/iPhone or in the docking system.

-Press **the ▶||** Button to turn on the unit.

-Press MODE button on the main unit until "iPod" icon appears on the display.

-Press **▶||** "PLAY/PAUSE" button to start the music or pause the current track.

-Press **▶||** "PLAY/PAUSE" button to resume iPad/iPhone/iPod playback.

-Press "VOL+" or "VOL-" button to raise up/lower the volume level.

-Press "**▶▶|**" button to skip to next track or press "**|◀◀**" button to the previous track.

-Press and hold "**▶▶|**" or "**|◀◀**" button to search during the desired music.

-To remove your iPod/iPhone, press and hold the button for three seconds to stop the playback and gently unplug it from the dock connector.

Notes

-The iPod/iPhone will charge in all modes.

AUX-IN (LINE IN) OPERATION

If you are using an iPod without a docking port or other MP3/digital audio player, you can still play it on the unit via the accompanied audio cable.

1. Connect the audio cable with 3.5 mm stereo plug to the AUX IN Jack located at rear of the unit.
2. Connect the other end of the cable to the headphone or line out jack of your external audio device.
3. Turn on the external audio source and play you device.
4. Press **the ▶||** Button to turn on the unit.
5. Press MODE button on the main unit until "AUX" mode appears on the display.
6. The volume level can now be controlled through the main unit. Operate all other functions on the external device as usual.

Notes:

(1) If you're connected to the Line Out Jack of your external device, then you only need to adjust the volume control of this unit. If you're connected to the Headphone Jack of your external device, then you may need to adjust both the volume control of your external device and the volume control of this unit to find the most desirable volume setting.

(2) Press and hold **the ▶||** Button turning off the unit when you finish listening.

Don't forget to switch off the power of your external device as well

Symptom	Possible problem	Solution
The main unit does not respond (no power)	AC cord is not plugged into a wall outlet.	Plug the AC cord into a wall outlet.
	Wall outlet is not functioning.	Plug another device into the same outlet to confirm the outlet is working.
iPad/iPod/iPhone does not respond to the unit	iPad/iPod/iPhone is not installed properly.	Remove your iPad/iPod/iPhone from the dock and check for any obstruction on the connectors in the docking and on your iPod. Then reseat it in the dock.
	Your iPad/iPod/iPhone is locked up.	Please make sure that your iPad/iPod/iPhone is working properly before docking into the unit.
iPad/iPod/iPhone does not charge up	iPad/iPod/iPhone is not installed properly.	Remove your iPad/iPod/iPhone from the dock and check for any obstruction on the connectors in the docking and on your iPod. Then reseat it in the dock.
	iPad/iPod/iPhone battery has problem.	Please make sure your iPad/iPod/iPhone is working properly before docking into the unit.
Sound is distorted	Sound source is distorted.	If the source is iPad/iPod/iPhone, try to check the sound at personal computer before putting into the iPad/iPod/iPhone. If you are using an external sound source like digital audio player, try reducing the output volume on the device itself.
	Volume level is set too high.	Decrease the volume.
Radio interference	Too close to a radio tower.	Move your speakers to see if the interference goes away. You may be able to purchase a shielded cable at your local electronics store.
External source (AUX-in) is not responding.	3.5mm audio cable is not Connected properly.	Check the connection and make sure the cable is inserted firmly into the jack.

SPECIFICATIONS:

Power Supply: Input AC 100-240V~60/50Hz

Output Power: 1.5x2W (RMS)

Back up Battery: 2x 1.5V "AAA" (UM-4) Batteries

FM tuner: 87.5-108MHz

Dimension: 260mm(W) X160mm(D) X100(H)

Net Weight: 0.816kgs

The specification and external appearance of the set are subjected to change without prior notice.

“Made for iPod”, “Made for iPhone”, “Made for iPad” mean that an electronic accessory has been designed to connect specifically to iPod, iPhone, iPad, respectively, and has been certified by the developer to meet Apple performance standards. Apple is not responsible for the operation of this device or its compliance with safety and regulatory standards. Please note that the use of the accessory with iPod, iPhone, iPad may affect wireless performance.

iPad, iPhone, iPod, iPod classic, iPod nano and iPod touch are trademarks of Apple Inc. registered in the U.S and other countries.

WWW.CALIBER.NL

CAIBER HEAD OFFICE · The Netherlands · Fax: +31 (0)416 69 90 01 · E-mail: info@calibernl